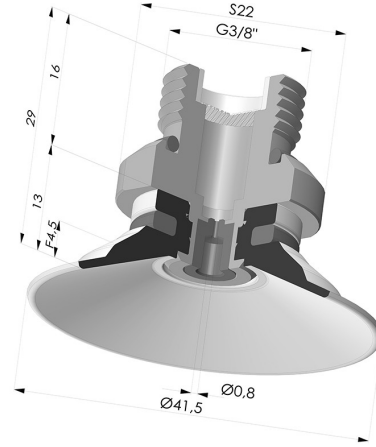


TECHNICAL INFORMATION

- Range :** Suction cup
Category : Plates
Series : 9
Height (in mm) : 29
Shape : Plate
Contact lip diameter : 41.5 mm
inner barrel diameter : Male G3/8"
Number of bellows : 0.5 Bellows
Horizontal force : 57.5 N
Vertical force : 29 N
Arrow : 4.5 mm



Variants:



Variant reference:
9 40SL 38D-2-GIC

- Color: Red food-grade CE certification
 - Matter: Silicone
 - Shore Hardness: SH60



Variant reference:
9 40SLT 38D-2-GIC

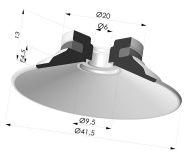
- Color: Translucent
 - CE food certified
 - Matter: Silicone
- Shore Hardness: SH60



Variant reference:
9 40NI 38D-2-GIC

- Color: Black
 - Matter: Nitrile
- Shore Hardness: SH50

Related products:



Flat Suction Cup Series 9, Ø 40 mm

Product reference: 9 40-- A



Separable Male Fitting 3/8G - with Spray Nozzle

Product reference: 9M38-2-GIC