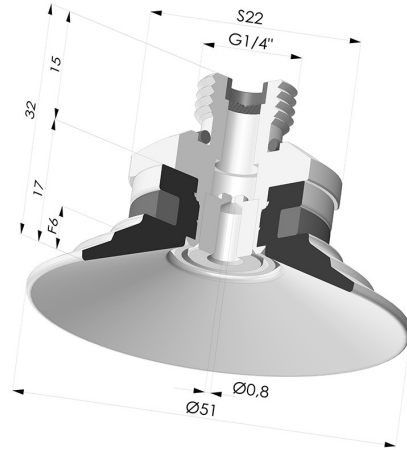


TECHNICAL INFORMATION

- Range :** Suction cup
Category : Plates
Series : 9
Height (in mm) : 32
Shape : Plate
Contact lip diameter : 51 mm
inner barrel diameter : Male G1/4"
Number of bellows : 0.5 Bellows
Horizontal force : 88 N
Vertical force : 44 N
Arrow : 6 mm



Variants:



Variant reference:
9 50SL 14D-2-GIC

- Color: Red food-grade CE certification
- Matter: Silicone
- Shore Hardness: SH60



Variant reference:
9 50SLT 14D-2-GIC

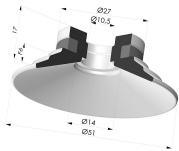
- Color: Translucent
- CE food certified
- Matter: Silicone
- Shore Hardness: SH60



Variant reference:
9 50NI 14D-2-GIC

- Color: Black
- Matter: Nitrile
- Shore Hardness: SH50

Related products:



Flat Suction Cup Series 9, Ø 50 mm

Product reference: 9 50-- A



Separable Male Fitting 1/4G - with Spray Nozzle

Product reference: 9G14-2-GIC