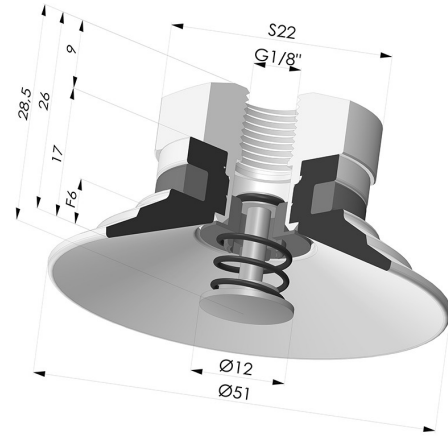


TECHNICAL INFORMATION

Range :	Suction cup
Category :	Plates
Series :	9
Height (in mm) :	28.5
Shape :	Plate
Contact lip diameter :	51 mm
inner barrel diameter :	Female G1/8"
Number of bellows :	0.5 Bellows
Horizontal force :	88 N
Vertical force :	44 N
Arrow :	6 mm



Variants:



Variant reference:
9 50SL 18D-2-PAL

- Color: Red food-grade CE certification
- Matter: Silicone
- Shore Hardness: SH60



Variant reference:
9 50SLT 18D-2-PAL

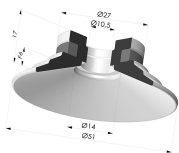
- Color: Translucent
- CE food certified
- Matter: Silicone
- Shore Hardness: SH60



Variant reference:
9 50NI 18D-2-PAL

- Color: Black
- Matter: Nitrile
- Shore Hardness: SH50

Related products:



Flat Suction Cup Series 9, Ø 50 mm

Product reference: 9 50-- A