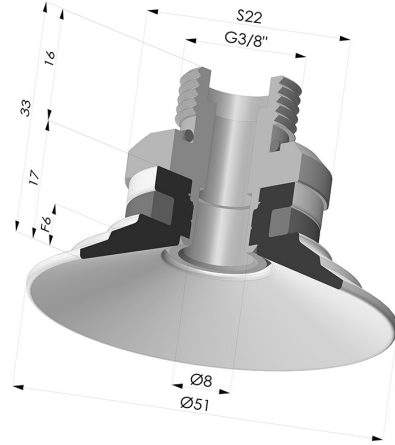


TECHNICAL INFORMATION

- Range :** Suction cup
Category : Plates
Series : 9
Height (in mm) : 33
Shape : Plate
Contact lip diameter : 51 mm
inner barrel diameter : Male G3/8"
Number of bellows : 0.5 Bellows
Horizontal force : 88 N
Vertical force : 44 N
Arrow : 6 mm



Variants:



Variant reference:
9 50SL 38D-2

- Color: Red food-grade CE certification
 - Matter: Silicone
 - Shore Hardness: SH60



Variant reference:
9 50SLT 38D-2

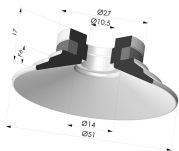
- Color: Translucent
 - CE food certified
 - Matter: Silicone
 - Shore Hardness: SH60



Variant reference:
9 50NI 38D-2

- Color: Black
 - Matter: Nitrile
 - Shore Hardness: SH50

Related products:



Flat Suction Cup Series 9, Ø 50 mm

Product reference: 9 50-- A



Separable Male Fitting 3/8G

Product reference: 9G38-2