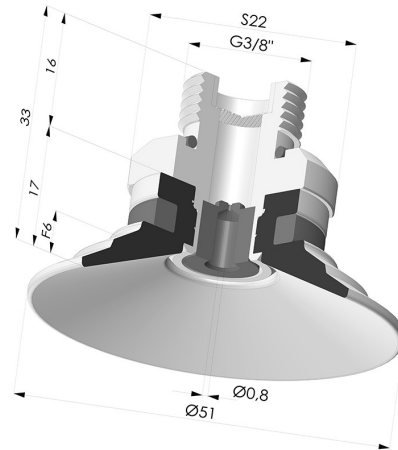


TECHNICAL INFORMATION

Range :	Suction cup
Category :	Plates
Series :	9
Height (in mm) :	33
Shape :	Plate
Contact lip diameter :	51 mm
inner barrel diameter :	Male G3/8"
Number of bellows :	0.5 Bellows
Horizontal force :	88 N
Vertical force :	44 N
Arrow :	6 mm



Variants:



Variant reference:
9 50SL 38D-2-GIC

- Color: Red food-grade CE certification
- Matter: Silicone
- Shore Hardness: SH60



Variant reference:
9 50SLT 38D-2-GIC

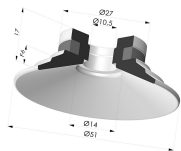
- Color: Translucent
- CE food certified
- Matter: Silicone
- Shore Hardness: SH60



Variant reference:
9 50NI 38D-2-GIC

- Color: Black
- Matter: Nitrile
- Shore Hardness: SH50

Related products:



Flat Suction Cup Series 9, Ø 50 mm

Product reference: 9 50-- A



Separable Male Fitting 3/8G - with Spray Nozzle

Product reference: 9G38-2-GIC