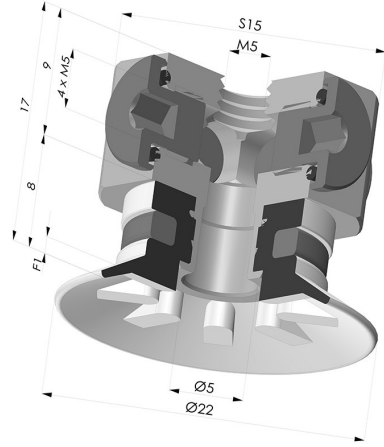


TECHNICAL INFORMATION

- Range :** Suction cup
Category : Plates
Series : 90
Height (in mm) : 17
Shape : Plate
Contact lip diameter : 22
inner barrel diameter : M5
Number of bellows : 0.5 Bellows
Horizontal force : 16 N
Vertical force : 8 N
Arrow : 1 mm



Variants:



Variant reference:
90 20SL FM5BD

- Color: Red food-grade CE certification
 - Matter: Silicone
 - Shore Hardness: SH60



Variant reference:
90 20SLT FM5BD

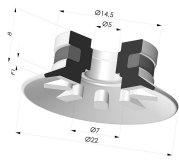
- Color: Translucent
 - CE food certified
 - Matter: Silicone
- Shore Hardness: SH60



Variant reference:
90 20NI FM5BD

- Color: Black
 - Matter: Nitrile
- Shore Hardness: SH50

Related products:



Flat Suction Cup Series 90, Ø 20 mm

Product reference: 90 20-- A