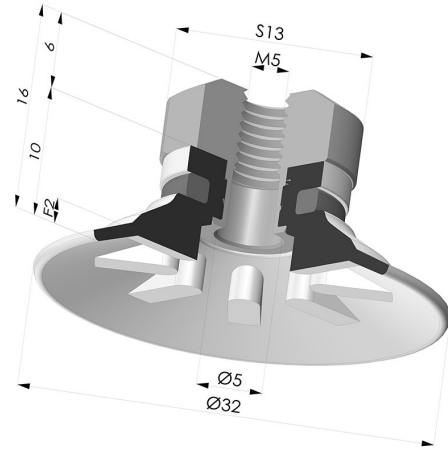


TECHNICAL INFORMATION

- Range :** Suction cup
Category : Plates
Series : 90
Height (in mm) : 16
Shape : Plate
Contact lip diameter : 32
inner barrel diameter : M5
Number of bellows : 0.5 Bellows
Horizontal force : 33 N
Vertical force : 17 N
Arrow : 2 mm



Variants:



Variant reference:
90 30SL FM5

- Color: Red food-grade CE certification
- Matter: Silicone
- Shore Hardness: SH60



Variant reference:
90 30SLT FM5

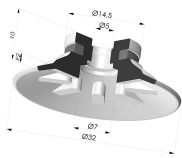
- Color: Translucent
- CE food certified
- Matter: Silicone
- Shore Hardness: SH60



Variant reference:
90 30NI FM5

- Color: Black
- Matter: Nitrile
- Shore Hardness: SH50

Related products:



Flat Suction Cup Series 90, Ø 30 mm

Product reference: 90 30-- A



Separable Female Fitting M5

Product reference: 9PM5-2