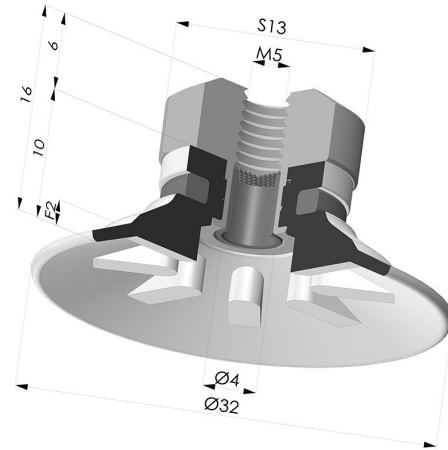


**TECHNICAL INFORMATION**

- Range :** Suction cup  
**Category :** Plates  
**Series :** 90  
**Height (in mm) :** 16  
**Shape :** Plate  
**Contact lip diameter :** 32  
**inner barrel diameter :** M5  
**Number of bellows :** 0.5 Bellows  
**Horizontal force :** 33 N  
**Vertical force :** 17 N  
**Arrow :** 2 mm



**Variants:**



Variant reference:  
**90 30SL FM5F**

- Color: Red food-grade CE certification
- Matter: Silicone
- Shore Hardness: SH60



Variant reference:  
**90 30SLT FM5F**

- Color: Translucent
- CE food certified
- Matter: Silicone
- Shore Hardness: SH60



Variant reference:  
**90 30NI FM5F**

- Color: Black
- Matter: Nitrile
- Shore Hardness: SH50

**Material guide:**

	Material	Code	Temperature resistance (°C)	Flexibility	Abrasion resistance	UV/Weather resistance	Oil resistance	Food compatibility	Migration test
	Silicone Red food-grade CE certification (Shore SH60)	SL	-60/+250	✓✓✓	✗	✓✓✓	✗	FDA  **	A, B, D2
	Silicone Translucent (Shore SH60)	SL T	-60/+250	✓✓✓	✓	✓✓✓	✓	FDA  **	✗
	Nitrile Black (Shore SH50)	NI	-10/+80	✓	✓	✗	✓✓	✗	✗

Excellent | Good | Low | Poor | Not recommended

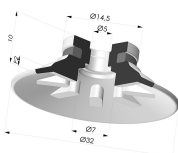
\*FDA and/or EC certificate may be requested for various references at the time of order; please contact us.

\*\* Food contact certification: (EC) 1935/2004 - (FDA) 21 CFR 177.2600

\*\*\* Food contact certification: (EC) 10/2011 - (FDA) 21 CFR

Requests for FDA and/or EC certificates must be made AT THE TIME OF ORDER. Any later request will incur additional charges. To meet the expectations of our industrial customers, NOVACOM offers the widest range of elastomer and thermoplastic materials. We can also develop new materials based on precise specifications, in order to solve specific applications for our customers.

**Related products:**



**Flat Suction Cup Series 90, Ø 30 mm**

Product reference: 90 30-- A



**Separable Female Fitting M5 - with Filter**

Product reference: 9PM5-2-F