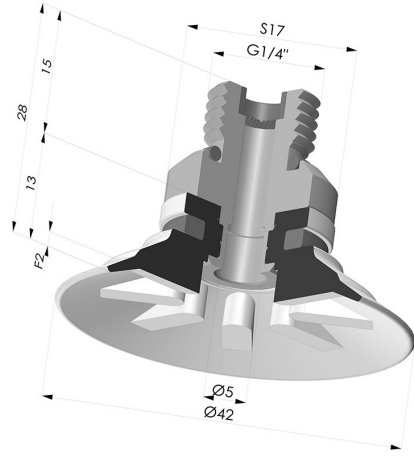


TECHNICAL INFORMATION

- Range :** Suction cup
Category : Plates
Series : 90
Height (in mm) : 28
Shape : Plate
Contact lip diameter : 42
inner barrel diameter : G1/4
Horizontal force : 60 N
Vertical force : 30 N
Arrow : 2 mm



Variants:



Variant reference:
90 40SL 14D-2-F

- Color: Red food-grade CE certification
- Matter: Silicone
- Shore Hardness: SH60



Variant reference:
90 40SLT 14D-2-F

- Color: Translucent
- CE food certified
- Matter: Silicone
- Shore Hardness: SH60



Variant reference:
90 40NI 14D-2-F

- Color: Black
- Matter: Nitrile
- Shore Hardness: SH50

Related products:

