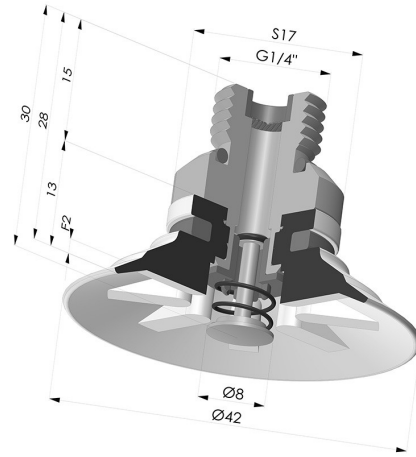


TECHNICAL INFORMATION

Range :	Suction cup
Category :	Plates
Series :	90
Height (in mm) :	30
Shape :	Plate
Contact lip diameter :	42
inner barrel diameter :	G1/4
Number of bellows :	0.5 Bellows
Horizontal force :	60 N
Vertical force :	30 N
Arrow :	2 mm



Variants:



Variant reference:
90 40SL 14D-2-PAL

- Color: Red food-grade CE certification
- Matter: Silicone
- Shore Hardness: SH60



Variant reference:
90 40SLT 14D-2-PAL

- Color: Translucent
- CE food certified
- Matter: Silicone
- Shore Hardness: SH60



Variant reference:
90 40NI 14D-2-PAL

- Color: Black
- Matter: Nitrile
- Shore Hardness: SH50

Related products:

Flat Suction Cup Series 90, Ø 40 mm
 Product reference: 90 40-- A

Separable Male Fitting 1/4G - with Check Valve
 Product reference: 9M14-2-PAL