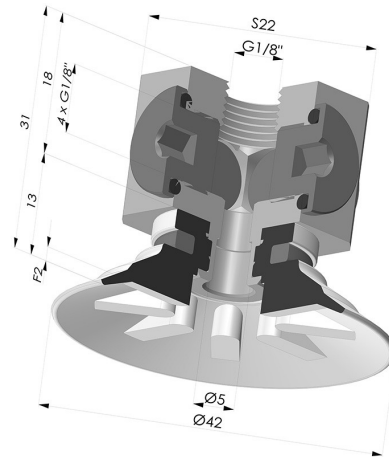


TECHNICAL INFORMATION

- Range :** Suction cup
Category : Plates
Series : 90
Height (in mm) : 31
Height (in mm) : 31
Shape : Plate
Contact lip diameter : 42
Contact lip diameter : 42
inner barrel diameter : G1/8
inner barrel diameter : G1/8
Number of bellows : 0.5 Bellows
Horizontal force : 60 N
Vertical force : 30 N
Arrow : 2 mm



Variants:



Variant reference:
90 40SL 18D-3-BD

- Color: Red food-grade CE certification
- Matter: Silicone
- Shore Hardness: SH60



Variant reference:
90 40SLT 18D-3-BD

- Color: Translucent
- CE food certified
- Matter: Silicone
- Shore Hardness: SH60



Variant reference:
90 40NI 18D-3-BD

- Color: Black
- Matter: Nitrile
- Shore Hardness: SH50

Related products:

Flat Suction Cup Series 90, Ø 40 mm
 Product reference: 90 40-- A

Separable Female Fitting 1/8G - with 5 Outputs
 Product reference: 9M18-3