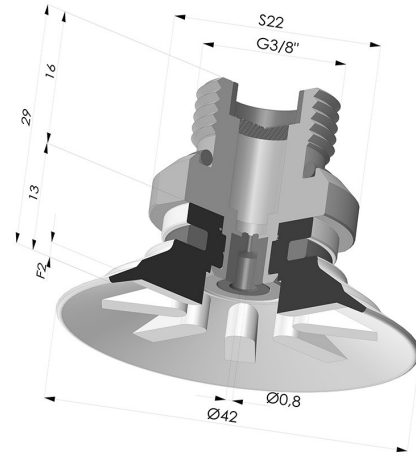


TECHNICAL INFORMATION

Range :	Suction cup
Category :	Plates
Series :	90
Height (in mm) :	29
Shape :	Plate
Contact lip diameter :	42
inner barrel diameter :	G3/8
Number of bellows :	0.5 Bellows
Horizontal force :	60 N
Vertical force :	30 N
Arrow :	2 mm



Variants:



Variant reference:
90 40SL 38D-2-GIC

- Color: Red food-grade CE certification
- Matter: Silicone
- Shore Hardness: SH60



Variant reference:
90 40SLT 38D-2-GIC

- Color: Translucent
- CE food certified
- Matter: Silicone
- Shore Hardness: SH60



Variant reference:
90 40NI 38D-2-GIC

- Color: Black
- Matter: Nitrile
- Shore Hardness: SH50

Related products:

