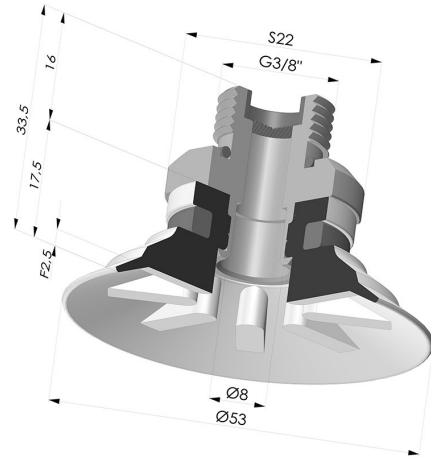


TECHNICAL INFORMATION

- Range :** Suction cup
Category : Plates
Series : 90
Height (in mm) : 33.5
Shape : Plate
Contact lip diameter : 53
inner barrel diameter : G3/8
Number of bellows : 0.5 Bellows
Horizontal force : 96 N
Vertical force : 48 N
Arrow : 2.5 mm



Variants:



Variant reference:
90 50SL 38D-2-F

- Color: Red food-grade CE certification
 - Matter: Silicone
 - Shore Hardness: SH60



Variant reference:
90 50SLT 38D-2-F

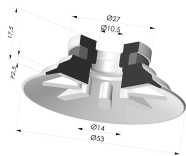
- Color: Translucent
 - CE food certified
 - Matter: Silicone
- Shore Hardness: SH60



Variant reference:
90 50NI 38D-2-F

- Color: Black
 - Matter: Nitrile
- Shore Hardness: SH50

Related products:



Flat Suction Cup Series 90, Ø 50 mm

Product reference: 90 50-- A



Separable Male Fitting 3/8G - with Filter

Product reference: 9G38-2-F