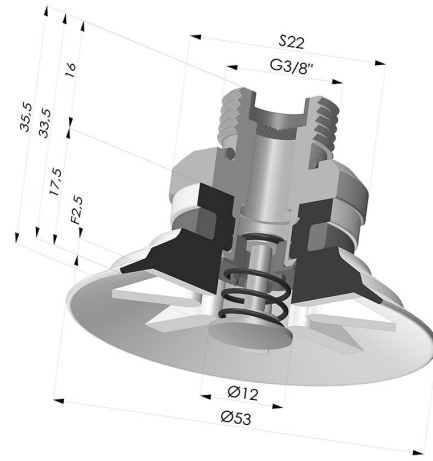


TECHNICAL INFORMATION

Range :	Suction cup
Category :	Plates
Series :	90
Height (in mm) :	35.5
Shape :	Plate
Contact lip diameter :	53
inner barrel diameter :	G3/8
Number of bellows :	0.5 Bellows
Horizontal force :	96 N
Vertical force :	48 N
Arrow :	2.5 mm



Variants:



Variant reference:
90 50SL 38D-2-PAL

- Color: Red food-grade CE certification
- Matter: Silicone
- Shore Hardness: SH60



Variant reference:
90 50SLT 38D-2-PAL

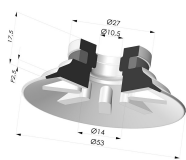
- Color: Translucent
- CE food certified
- Matter: Silicone
- Shore Hardness: SH60



Variant reference:
90 50NI 38D-2-PAL

- Color: Black
- Matter: Nitrile
- Shore Hardness: SH50

Related products:



Flat Suction Cup Series 90, Ø 50 mm

Product reference: 90 50-- A