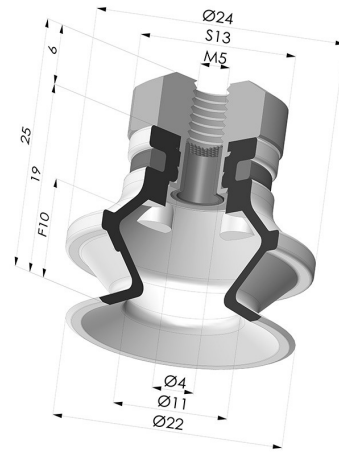


TECHNICAL INFORMATION

Range :	Suction cup
Category :	With bellows
Series :	91
Height (in mm) :	25
Shape :	1.5 Bellows
Contact lip diameter :	22.2 mm
inner barrel diameter :	M5
Number of bellows :	1.5 Bellows
Horizontal force :	17.2 N
Vertical force :	5.6 N
Arrow :	10 mm



Variants:



Variant reference:
91 20SL FM5F

- Color: Red food-grade CE certification
 - Matter: Silicone
 - Shore Hardness: SH60



Variant reference:
91 20SLT FM5F

- Color: Translucent
 - CE food certified
 - Matter: Silicone
- Shore Hardness: SH60



Variant reference:
91 20NI FM5F

- Color: Black
 - Matter: Nitrile
- Shore Hardness: SH50

Related products:

Bellows Suction Cup 1.5 folds Series 91, Ø 20 mm
 Product reference: 91 20-- A

Separable Female Fitting M5
 Product reference: 9PM5-2