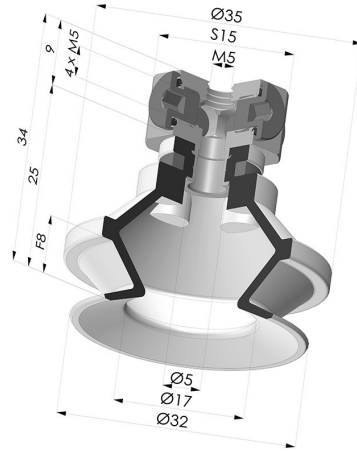


TECHNICAL INFORMATION

Range :	Suction cup
Category :	With bellows
Series :	91
Height (in mm) :	34
Shape :	1.5 Bellows
Contact lip diameter :	31.8 mm
inner barrel diameter :	M5
Number of bellows :	1.5 Bellows
Horizontal force :	31 N
Vertical force :	15.5 N
Arrow :	8 mm



Variants:



Variant reference:
91 30SL FM5BD

- Color: Red food-grade CE certification
 - Matter: Silicone
 - Shore Hardness: SH60



Variant reference:
91 30SLT FM5BD

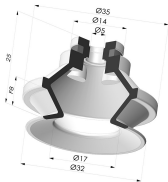
- Color: Translucent
 - CE food certified
 - Matter: Silicone
- Shore Hardness: SH60



Variant reference:
91 30NI FM5BD

- Color: Black
 - Matter: Nitrile
- Shore Hardness: SH50

Related products:



Bellows Suction Cup 1.5 folds Series 91, Ø 30 mm

Product reference: 91 30-- A