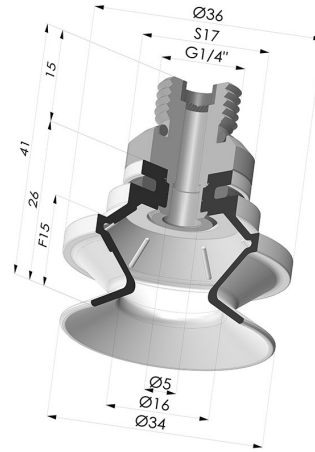


TECHNICAL INFORMATION

Range : Suction cup
Category : With bellows
Series : 91
Height (in mm) : 41
Shape : 1.5 Bellows
Contact lip diameter : 34 mm
inner barrel diameter : Male G1/4"
Number of bellows : 1.5 Bellows
Horizontal force : 38 N
Vertical force : 19 N
Arrow : 15 mm



Variants:



Variant reference:
91 31NI 14D-2-F
 • Color: Black
 • Matter: Nitrile



Variant reference:
91 31SL 14D-2-F
 • Color: Red food-grade CE certification
 • Matter: Silicone
 • Shore Hardness: SH60



Variant reference:
91 31SLT 14D-2-F
 • Color: Translucent
 • CE food certified
 • Matter: Silicone
 • Shore Hardness: SH60

Related products:

Bellows Suction Cup 1.5 folds Series 91, Ø 35 mm
 Product reference: 91 31-- A

Separable Male Fitting 1/4G - with Filter
 Product reference: 9M14-2-F