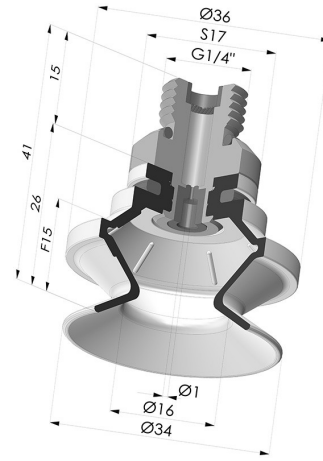


TECHNICAL INFORMATION

Range :	Suction cup
Category :	With bellows
Series :	91
Height (in mm) :	41
Shape :	1.5 Bellows
Contact lip diameter :	34 mm
inner barrel diameter :	G1/4"
Number of bellows :	1.5 Bellows
Horizontal force :	6.9 N
Vertical force :	3.4 N
Arrow :	15 mm



Variants:



Variant reference:
91 31NI 14D-2-GIC

- Color: Black
- Matter: Nitrile



Variant reference:
91 31SL 14D-2-GIC

- Color: Red food-grade CE certification
- Matter: Silicone
- Shore Hardness: SH60



Variant reference:
91 31SLT 14D-2-GIC

- Color: Translucent
- CE food certified
- Matter: Silicone
- Shore Hardness: SH60

Related products:

Bellows Suction Cup 1.5 folds Series 91, Ø 35 mm
 Product reference: 91 31-- A

Separable Male Fitting 1/4G - with Spray Nozzle
 Product reference: 9M14-2-GIC