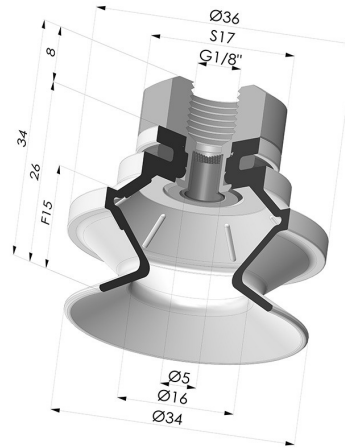


TECHNICAL INFORMATION

Range :	Suction cup
Category :	With bellows
Series :	91
Height (in mm) :	34
Shape :	1.5 Bellows
Contact lip diameter :	34 mm
inner barrel diameter :	Female G1/8"
Number of bellows :	1.5 Bellows
Horizontal force :	38 N
Vertical force :	19 N
Arrow :	15 mm



Variants:



Variant reference:
91 31NI 18D-2-F
 • Color: Black
 • Matter: Nitrile



Variant reference:
91 31SL 18D-2-F
 • Color: Red food-grade CE certification
 • Matter: Silicone
 • Shore Hardness: SH60



Variant reference:
91 31SLT 18D-2-F
 • Color: Translucent
 • CE food certified
 • Matter: Silicone
 • Shore Hardness: SH60

Related products:



Separable Female Fitting 1/8G - with Filter

Product reference: 9M18-2-F