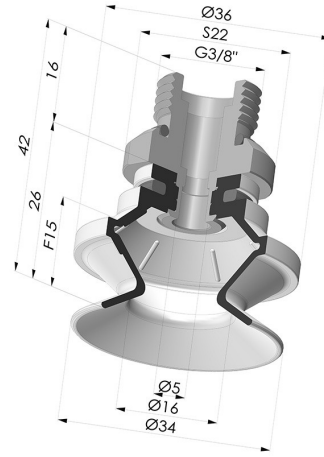


TECHNICAL INFORMATION

Range :	Suction cup
Category :	With bellows
Series :	91
Height (in mm) :	42
Shape :	1.5 Bellows
Contact lip diameter :	34 mm
inner barrel diameter :	Male G3/8"
Number of bellows :	1.5 Bellows
Horizontal force :	38 N
Vertical force :	19 N
Arrow :	15 mm



Variants:



Variant reference:
91 31NI 38D-2
 • Color: Black
 • Matter: Nitrile



Variant reference:
91 31SL 38D-2
 • Color: Red food-grade CE certification
 • Matter: Silicone
 • Shore Hardness: SH60



Variant reference:
91 31SLT 38D-2
 • Color: Translucent
 • CE food certified
 • Matter: Silicone
 • Shore Hardness: SH60

Related products:

Bellows Suction Cup 1.5 folds Series 91, Ø 35 mm
 Product reference: 91 31-- A

Separable Male Fitting 3/8G
 Product reference: 9M38-2