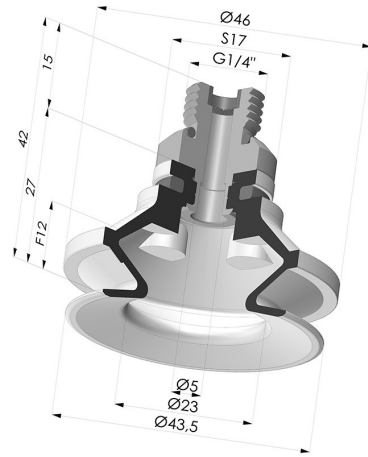


TECHNICAL INFORMATION

- Range :** Suction cup
Category : With bellows
Series : 91
Height (in mm) : 42
Height (in mm) : 42
Shape : 1.5 Bellows
Contact lip diameter : 40 mm
inner barrel diameter : Male G1/4"
Number of bellows : 1.5 Bellows
Horizontal force : 57 N
Vertical force : 28.5 N
Arrow : 12 mm



Variants:



Variant reference:
91 40NI 14D-2-F

- Color: Black
- Matter: Nitrile
- Shore Hardness: SH50



Variant reference:
91 40NR 14D-2-F

- Color: Gray
- Matter: Natural rubber
- Shore Hardness: SH50



Variant reference:
91 40SL 14D-2-F

- Color: Red food-grade CE certification
- Matter: Silicone
- Shore Hardness: SH60



Variant reference:
91 40SLT 14D-2-F

- Color: Translucent
- CE food certified
- Matter: Silicone
- Shore Hardness: SH60



Variant reference:
91 40MNT 14D-2-F

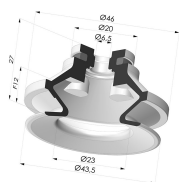
- Color: Bordeaux
- Matter: Non-staining material
- Shore Hardness: SH60



Variant reference:
91 40TPU 14D-2-F

- Color: Translucent
- Matter: Thermoplastic
- Shore Hardness: SH70

Related products:



Bellows Suction Cup 1.5 folds Series 91, Ø 40 mm

Product reference: 91 40-- A



Separable Male Fitting 1/4G - with Filter

Product reference: 9M14-2-F