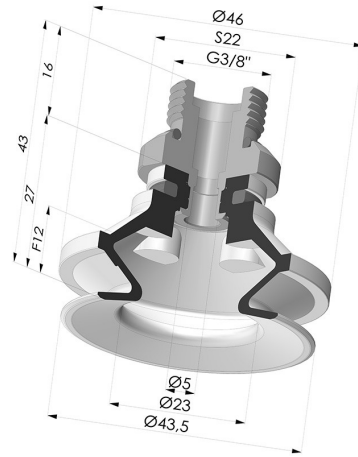


TECHNICAL INFORMATION

Range :	Suction cup
Category :	With bellows
Series :	91
Height (in mm) :	43
Shape :	1.5 Bellows
Contact lip diameter :	40 mm
inner barrel diameter :	Male G3/8"
Number of bellows :	1.5 Bellows
Horizontal force :	57 N
Vertical force :	28.5 N
Arrow :	12 mm



Variants:



Variant reference:

91 40NI 38D-2

- Color: Black
- Matter: Nitrile
- Shore Hardness: SH50



Variant reference:

91 40NR 38D-2

- Color: Gray
- Matter: Natural rubber
- Shore Hardness: SH50



Variant reference:

91 40SL 38D-2

- Color: Red food-grade CE certification
- Matter: Silicone
- Shore Hardness: SH60



Variant reference:

91 40SLT 38D-2

- Color: Translucent
- CE food certified
- Matter: Silicone
- Shore Hardness: SH60

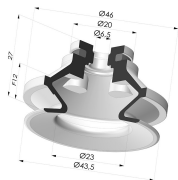


Variant reference:

91 40MNT 38D-2

- Color: Bordeaux
- Matter: Non-staining material
- Shore Hardness: SH60

Related products:



Bellows Suction Cup 1.5 folds Series 91, Ø 40 mm

Product reference: 91 40-- A



Separable Male Fitting 3/8G

Product reference: 9M38-2