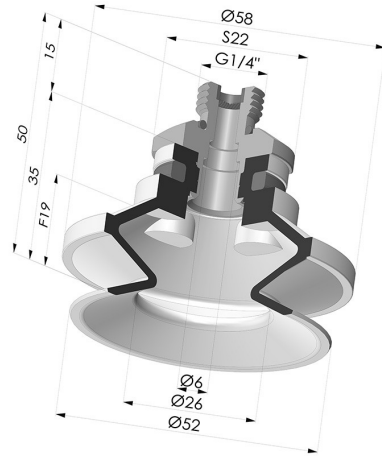


TECHNICAL INFORMATION

Range :	Suction cup
Category :	With bellows
Series :	91
Height (in mm) :	50
Shape :	1.5 Bellows
Contact lip diameter :	50 mm
inner barrel diameter :	Male G1/4"
Number of bellows :	1.5 Bellows
Horizontal force :	82 N
Vertical force :	41 N
Arrow :	19 mm



Variants:



Variant reference:
91 50NI 14D-2-F

- Color: Black
- Matter: Nitrile
- Shore Hardness: SH50



Variant reference:
91 50SL 14D-2-F

- Color: Red food-grade CE certification
- Matter: Silicone
- Shore Hardness: SH60



Variant reference:
91 50SLT 14D-2-F

- Color: Translucent
- CE food certified
- Matter: Silicone
- Shore Hardness: SH60



Variant reference:
91 50MNT 14D-2-F

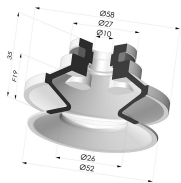
- Color: Bordeaux
- Matter: Non-staining material
- Shore Hardness: SH60



Variant reference:
91 50TPU 14D-2-F

- Color: Translucent
- Matter: Thermoplastic
- Shore Hardness: SH70

Related products:



Bellows Suction Cup 1.5 folds Series 91, Ø 50 mm

Product reference: 91 50-- A



Separable Male Fitting 1/4G - with Filter

Product reference: 9G14-2-F