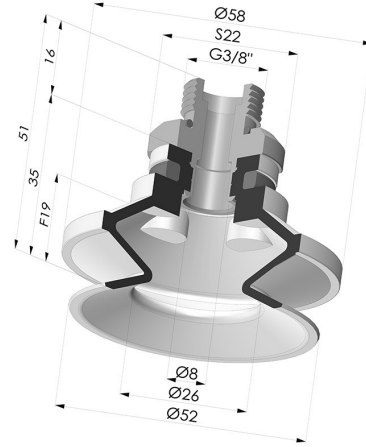


**TECHNICAL INFORMATION**

<b>Range :</b>	Suction cup
<b>Category :</b>	With bellows
<b>Series :</b>	91
<b>Height (in mm) :</b>	51
<b>Shape :</b>	1.5 Bellows
<b>Contact lip diameter :</b>	50 mm
<b>inner barrel diameter :</b>	Male G3/8"
<b>Number of bellows :</b>	1.5 Bellows
<b>Horizontal force :</b>	82 N
<b>Vertical force :</b>	41 N
<b>Arrow :</b>	19 mm



**Variants:**



Variant reference:  
**91 50NI 38D-2**

- Color: Black
- Matter: Nitrile
- Shore Hardness: SH50



Variant reference:  
**91 50SL 38D-2**

- Color: Red food-grade CE certification
- Matter: Silicone
- Shore Hardness: SH60



Variant reference:  
**91 50SLT 38D-2**

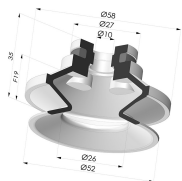
- Color: Translucent
- CE food certified
- Matter: Silicone
- Shore Hardness: SH60



Variant reference:  
**91 50MNT 38D-2**

- Color: Bordeaux
- Matter: Non-staining material
- Shore Hardness: SH60

**Related products:**



**Bellows Suction Cup 1.5 folds Series 91, Ø 50 mm**

Product reference: 91 50-- A



**Separable Male Fitting 3/8G**

Product reference: 9G38-2