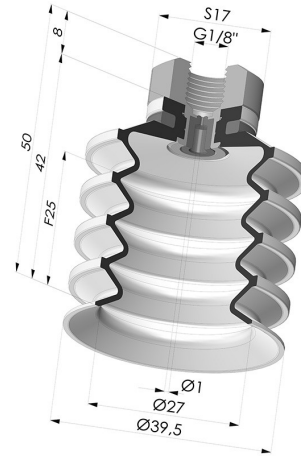


TECHNICAL INFORMATION

Range :	Suction cup
Category :	With bellows
Series :	92
Height (in mm) :	50
Shape :	4.5 Bellows
Contact lip diameter :	40 mm
inner barrel diameter :	Female G1/8"
Number of bellows :	4.5 Bellows
Horizontal force :	51 N
Vertical force :	25.5 N
Arrow :	25 mm



Variants:



Variant reference:
92 40SL 18D-2-GIC

- Color: Red food-grade CE certification
- Matter: Silicone
- Shore Hardness: SH60



Variant reference:
92 40SLT 18D-2-GIC

- Color: Translucent
- CE food certified
- Matter: Silicone
- Shore Hardness: SH60



Variant reference:
92 40NI 18D-2-GIC

- Color: Black
- Matter: Nitrile
- Shore Hardness: SH50

Related products:

Bellows Suction Cup 4.5 folds Series 92, Ø 40 mm
 Product reference: 92 40-- A

Inner Reinforcement Ring - OD 35.8 mm
 Product reference: A40

Separable Female Fitting 1/8G - with Spray Nozzle
 Product reference: 9M18-2-GIC