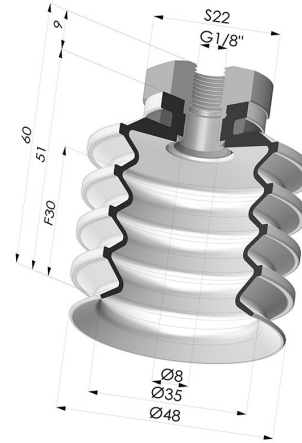


TECHNICAL INFORMATION

Range :	Suction cup
Category :	With bellows
Series :	92
Height (in mm) :	60
Shape :	4.5 Bellows
Contact lip diameter :	50 mm
inner barrel diameter :	Female G1/8"
Number of bellows :	4.5 Bellows
Horizontal force :	77 N
Vertical force :	38.5 N
Arrow :	30 mm



Variants:



Variant reference:
92 50SL 18D-2

- Color: Red food-grade CE certification
 - Matter: Silicone
 - Shore Hardness: SH60



Variant reference:
92 50SLT 18D-2

- Color: Translucent
 - CE food certified
 - Matter: Silicone
- Shore Hardness: SH60



Variant reference:
92 50NI 18D-2

- Color: Black
 - Matter: Nitrile
- Shore Hardness: SH50

Related products:

Bellows Suction Cup 4.5 folds Series 92, Ø 50 mm
 Product reference: 92 50-- A

Inner Reinforcement Ring - OD 45.5 mm
 Product reference: A50

Separable Female Fitting 1/8G
 Product reference: 9G18-2