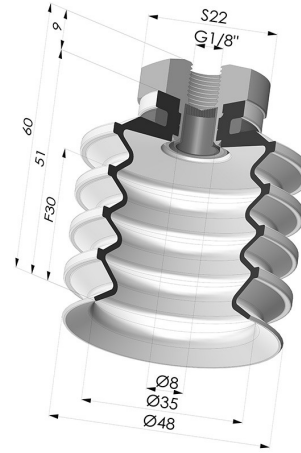


**TECHNICAL INFORMATION**

<b>Range :</b>	Suction cup
<b>Category :</b>	With bellows
<b>Series :</b>	92
<b>Height (in mm) :</b>	60
<b>Shape :</b>	4.5 Bellows
<b>Contact lip diameter :</b>	50 mm
<b>inner barrel diameter :</b>	Female G1/8"
<b>Number of bellows :</b>	4.5 Bellows
<b>Horizontal force :</b>	77 N
<b>Vertical force :</b>	38.5 N
<b>Arrow :</b>	30 mm



**Variants:**



Variant reference:  
**92 50SL 18D-2-F**

- Color: Red food-grade CE certification
  - Matter: Silicone
  - Shore Hardness: SH60



Variant reference:  
**92 50SLT 18D-2-F**

- Color: Translucent
  - CE food certified
  - Matter: Silicone
- Shore Hardness: SH60



Variant reference:  
**92 50NI 18D-2-F**

- Color: Black
  - Matter: Nitrile
- Shore Hardness: SH50

**Related products:**

**Bellows Suction Cup 4.5 folds Series 92, Ø 50 mm**  
 Product reference: 92 50-- A

**Inner Reinforcement Ring - OD 45.5 mm**  
 Product reference: A50

**Separable Female Fitting 1/8G - with Filter**  
 Product reference: 9G18-2-F