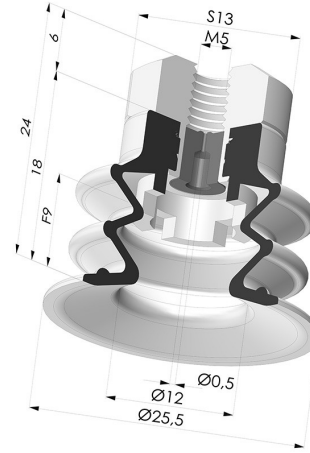


TECHNICAL INFORMATION

Range :	Suction cup
Category :	With bellows
Series :	96
Height (in mm) :	24
Shape :	2.5 Bellows
Contact lip diameter :	25 mm
inner barrel diameter :	M5
Number of bellows :	2.5 Bellows
Horizontal force :	20 N
Vertical force :	10 N
Arrow :	9 mm



Variants:



Variant reference:
96 25SL FM5GIC

- Color: Red food-grade CE certification
- Matter: Silicone
- Shore Hardness: SH60



Variant reference:
96 25SLT FM5GIC

- Color: Translucent
- CE food certified
- Matter: Silicone
- Shore Hardness: SH60



Variant reference:
96 25NI FM5GIC

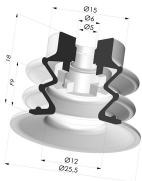
- Color: Black
- Matter: Nitrile
- Shore Hardness: SH50



Variant reference:
96 25NR FM5GIC

- Color: Gray
- Matter: Natural rubber
- Shore Hardness: SH50

Related products:



Bellows Suction Cup 2.5 folds Series 96, Ø 25 mm

Product reference: 96 25-- A



Separable Female Fitting M5 - with Spray Nozzle

Product reference: 9PM5-2-GIC