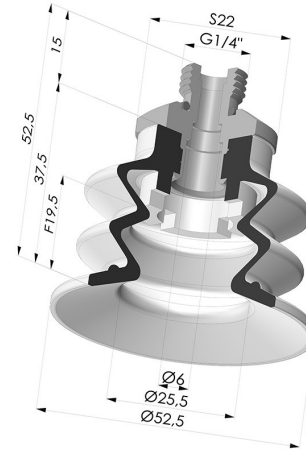


TECHNICAL INFORMATION

Range :	Suction cup
Category :	With bellows
Series :	96
Height (in mm) :	42.5
Shape :	2.5 Bellows
Contact lip diameter :	52 mm
inner barrel diameter :	Male G1/4"
Number of bellows :	2.5 Bellows
Horizontal force :	92 N
Vertical force :	46 N
Arrow :	19.5 mm



Variants:



Variant reference:
96 52SL 14D-2

- Color: Red food-grade CE certification
- Matter: Silicone
- Shore Hardness: SH60



Variant reference:
96 52SLT 14D-2

- Color: Translucent
- CE food certified
- Matter: Silicone
- Shore Hardness: SH60



Variant reference:
96 52NI 14D-2

- Color: Black
- Matter: Nitrile
- Shore Hardness: SH50



Variant reference:
96 52NR 14D-2

- Color: Gray
- Matter: Natural rubber
- Shore Hardness: SH50

Related products:

Bellows Suction Cup 2.5 folds Series 96, Ø 52 mm
 Product reference: 96 52-- A

Separable Male Fitting 1/4G
 Product reference: 9G14-2