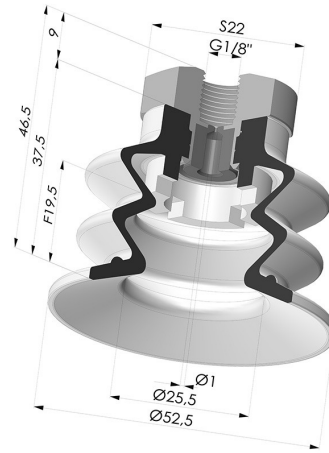


TECHNICAL INFORMATION

- Range :** Suction cup
- Category :** With bellows
- Series :** 96
- Height (in mm) :** 46.5
- Shape :** 2.5 Bellows
- Contact lip diameter :** 52 mm
- inner barrel diameter :** Female G1/8"
- Number of bellows :** 2.5 Bellows
- Horizontal force :** 92 N
- Vertical force :** 46 N
- Arrow :** 19.5 mm



Variants:



Variant reference:
96 52SL 18D-2-GIC

- Color: Red food-grade CE certification
- Matter: Silicone
- Shore Hardness: SH60



Variant reference:
96 52SLT 18D-2-GIC

- Color: Translucent
- CE food certified
- Matter: Silicone
- Shore Hardness: SH60



Variant reference:
96 52NI 18D-2-GIC

- Color: Black
- Matter: Nitrile
- Shore Hardness: SH50



Variant reference:
96 52NR 18D-2-GIC

- Color: Gray
- Matter: Natural rubber
- Shore Hardness: SH50

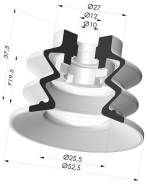
Material guide:

	Material	Code	Temperature resistance (°C)	Flexibility	Abrasion resistance	UV/Weather resistance	Oil resistance	Food compatibility	Migration test
	Silicone Red food-grade CE certification (Shore SH60)	SL	-60/+250	✓✓✓	✗	✓✓✓	✗	FDA **	A, B, D2
	Silicone Translucent (Shore SH60)	SL T	-60/+250	✓✓✓	✓	✓✓✓	✓	FDA **	✗
	Nitrile Black (Shore SH50)	NI	-10/+80	✓	✓	✗	✓✓	✗	✗
	Natural rubber Gray (Shore SH50)	NR	-20/+70	✓✓✓	✓✓	✗✗	✗✗	✗	✗

Requests for FDA and/or EC certificates must be made AT THE TIME OF ORDER. Any later request will incur additional charges. To meet the expectations of our industrial customers, NOVACOM offers the widest range of elastomer and thermoplastic materials. We can also develop new materials based on precise specifications, in order to solve specific applications for our customers.

Excellent | Good | Low | Poor | Not recommended
 *FDA and/or EC certificate may be requested for various references at the time of order; please contact us.
 ** Food contact certification: (EC) 1935/2004 - (FDA) 21 CFR 177.2600
 *** Food contact certification: (EC) 10/2011 - (FDA) 21 CFR

Related products:



Bellows Suction Cup 2.5 folds Series 96, Ø 52 mm

Product reference: 96 52-- A



Separable Female Fitting 1/8G - with Spray Nozzle

Product reference: 9G18-2-GIC