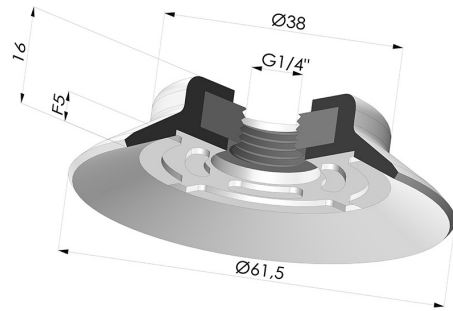


TECHNICAL INFORMATION

Range :	Suction cup
Category :	Plates
Series :	PFG
Height (in mm) :	16
Shape :	Plate
Contact lip diameter :	61.5 mm
Top diameter :	Female G1/4"
inner barrel diameter :	Female G1/4"
Number of bellows :	0.5 Bellows
Horizontal force :	140 N
Vertical force :	70 N
Arrow :	5 mm



Variants:



Variant reference:

PFG 60SLT F14

- Color: Translucent
- CE food certified
- Matter: Silicone
- Shore Hardness: SH60

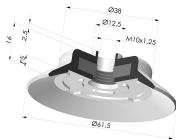


Variant reference:

PFG 60NI F14

- Color: Black
- Matter: Nitrile
- Shore Hardness: SH50

Related products:



Flat suction cup series PFG, Ø 61.5 mm

Product reference: PFG 60-- A