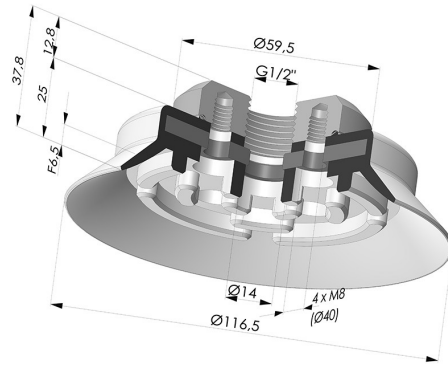
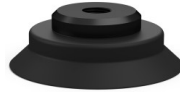


**TECHNICAL INFORMATION**

<b>Range :</b>	Suction cup
<b>Category :</b>	Plates
<b>Series :</b>	PFTF
<b>Height (in mm) :</b>	38
<b>Shape :</b>	Plate
<b>Contact lip diameter :</b>	116.5 mm
<b>inner barrel diameter :</b>	Female G1/2"
<b>Number of bellows :</b>	0.5 Bellows
<b>Outer diameter :</b>	116.5 mm
<b>Horizontal force :</b>	484 N
<b>Vertical force :</b>	242 N
<b>Arrow :</b>	6.5 mm



**Variants:**



Variant reference:

**PFTF 120SNI 1/2**

- Color: Black
- Matter: Nitrile
- Shore Hardness: SH50