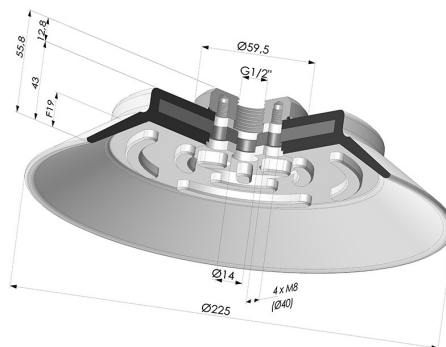


TECHNICAL INFORMATION

Range :	Suction cup
Category :	Plates
Series :	PFTF
Height (in mm) :	56
Shape :	Plate
Contact lip diameter :	225 mm
Top diameter :	G1/2"
inner barrel diameter :	Female G1/2"
Number of bellows :	0.5 Bellows
Outer diameter :	225 mm
Horizontal force :	1806 N
Vertical force :	903 N
Arrow :	19 mm



Variants:

Variant reference:

PFTF 230SNI 1/2

- Color: Black
- Matter: Nitrile
- Shore Hardness: SH50